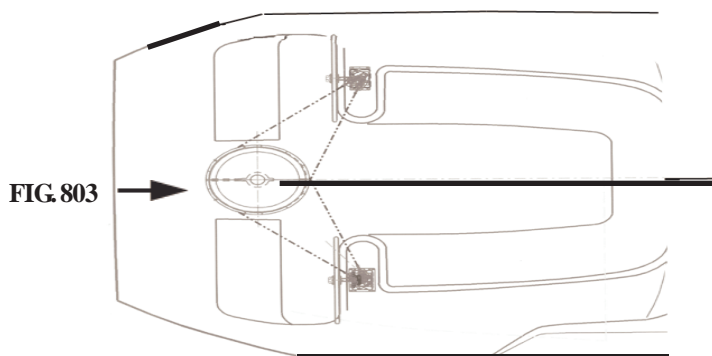
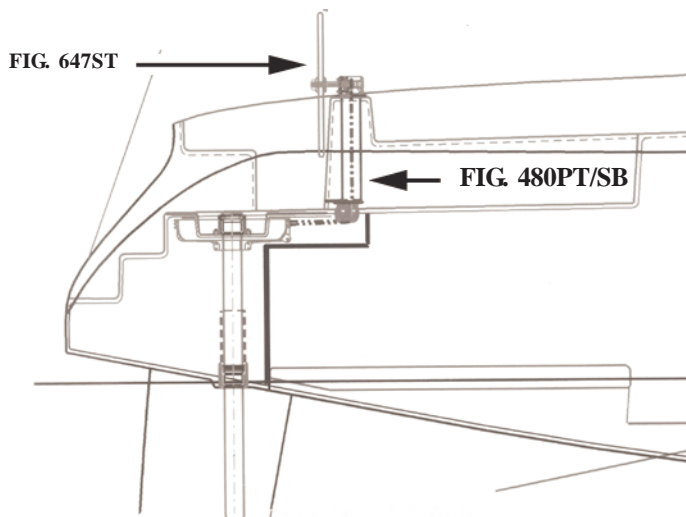
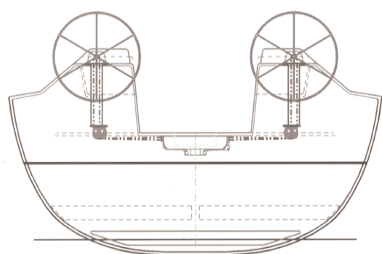




CATALINA 470

THIS SCHEMATIC IS INTENDED TO PROVIDE AN OUTLINE FOR DESIGNING YOUR SYSTEM. COMPLETE INSTRUCTIONS FOR INSTALLATION CAN BE FOUND IN OUR "PLANNING & INSTALLATION GUIDE", WHICH CAN BE FOUND ONLINE.



VISIT US ONLINE AT
WWW.EDSONMARINE.COM

1 FIG. 480PT-776-6AL	STEERER, PORT SIDE
1 FIG. 480SB-776-6AL	STEERER, STARBOARD SIDE
2 FIG. 647ST-32-5	DISHED DESTROYER WHEEL
2 FIG. 775-2B2D9	CHAIN & WIRE ROPE ASSEMBLY
1 FIG. 803-12	RADIAL DRIVE WHEEL
1 FIG. 862-WIRE	RUDDER STOP, WIRE
1 FIG. 960-A-1986	BUNGY STOP ABSORBER
4 FIG. 618-2-375	WIRE TAKEUP EYES
8 FIG. 665ST-250	WIRE ROPE CLAMPS
4 FIG. 665ST-187	WIRE ROPE CLAMPS
4 FIG. 643-250	WIRE ROPE THIMBLES